

# Aluminium Outdoor Seating



# RHS STEEL

## Supplies & Accessories

Our Aluminium is from Australia's premier supplier to the building industry. We specialise in the very best Aluminium seating and setting solutions to suit your needs and application. Aluminium seating can be used, enjoyed and trusted throughout Australia from: Schools, Parks, Sports Venues, Clubs or your very own back yard.

All our seating and setting products are made to the highest standards and are 100% made in Australia, for Australians. Our seating and setting products come with a 5 year material and workmanship warranty.

## STANDARD SETTING

### Schoolyard, Park, Picnic and Garden Setting

Our most popular model across Australia - ideal for schools, parks, sporting venues, clubs or even your own backyard.

The Standard Setting is easy to assemble, supplied in the standard length of 2 metres long which comfortably sits 6 adults. Available in Natural Aluminium, Anodised, Powder Paint Coated, or Wood Grain Finishes. The setting can be free standing or be fixed in position, and requires no maintenance and will not rust or corrode. Wheel chair access available on request.



Seating is available in Natural, Powder Coated, Anodised or Wood Grain Finish.

Part Number	Part Description	Length	Colour Finish
BRPARKPICNICMF2	Standard Seating with Table MF2	2.0M	NATURAL
BRPARKPICNICMF3	Standard Seating with Table MF3	3.0m	NATURAL
BRPARKPICNICMF4	Standard Seating with Table MF4	4.0m	NATURAL
BRPARKPICNICMF6	Standard Seating with Table MF6	6.0m	NATURAL

## BENCH SEAT WITH BACK SUPPORT

### Schoolyard, Park, Picnic and Garden Setting

With the unique use of different Power Coating or Wood Grain finishes, these benches create a distinctive and striking statement - perfect for all public areas.

The distinctive curvature with back rest option offers classic styling to meet today's environment.

Our seating is extremely long lasting and is particularly suited to near swimming pools and seaside areas.

They are very popular and lightweight portable bench seats.



**Seating is available in Natural, Powder Coated, Anodised or Wood Grain Finish.**

Part Number	Part Description	Length	Colour Finish
BRBENCHMF2	Bench Seat with Back Rest MF2	2.0M	NATURAL
BRBENCHMF3	Bench Seat with Back Rest MF3	3.0m	NATURAL
BRBENCHMF4	Bench Seat with Back Rest MF4	4.0m	NATURAL
BRBENCHMF6	Bench Seat with Back Rest MF6	6.0m	NATURAL

## BENCH SEATS STACKABLE

### Schoolyard, Park, Picnic and Garden Setting

This stackable bench provides a premium temporary seating option for any circumstance.

Benches offer convenient comfort and deliver seamless amenity in any outdoor setting.

They can be used standalone or to add variety and choice in a space while matching and complementing other pieces of your chosen style. Collection has been created to provide a functional and aesthetically inviting seating collection for public spaces.



**Seating is available in Natural, Powder Coated, Anodised or Wood Grain Finish.**

Part Number	Part Description	Length	Colour Finish
BENCHMF2	Stackable Bench Seating MF2	2.0M	NATURAL
BENCHMF3	Stackable Bench Seating MF3	3.0m	NATURAL
BENCHMF4	Stackable Bench Seating MF4	4.0m	NATURAL
BENCHMF6	Stackable Bench Seating MF6	6.0m	NATURAL



## SURFACE MOUNT SETTING

### Schoolyard, Park, Picnic and Garden Setting

The sophisticated engineering allows for effortless movement of the table top to smoothly transition from sit to stand.

On ground bolted fixed table and chairs setting, perfect for concrete or paved floor areas.

Table Setting has a robust design available in a diverse and highly durable range of finishes that allow it to add design flare to any setting. The intricate and stunning detail offers a sophisticated luxury, great for entertaining.



Seating is available in Natural, Powder Coated, Anodised or Wood Grain Finish.

Part Number	Part Description	Length	Colour Finish
OGPARKPICNICMF2	Surface Mount Setting Mf2	2.0M	NATURAL
OGPARKPICNICMF3	Surface Mount Setting Mf3	3.0m	NATURAL
OGPARKPICNICMF4	Surface Mount Setting Mf4	4.0m	NATURAL

**FREE STANDING SETTING**

**Schoolyard, Park, Picnic and Garden Setting**

The appeal of thoughtful simplicity provides beauty and stability for any environment perfect for those family get together.

The on-ground free standing table and chairs settings are perfect for all surfaces whether it's celebrating an occasion, enjoying an outdoor meal or short break or completing work in the fresh air. Our versatile selection of table settings are made for most outdoor settings.



**Seating is available in Natural, Powder Coated, Anodised or Wood Grain Finish.**

Part Number	Part Description	Length	Colour Finish
FSPARKPICNICMF2	Free Standing Setting MF2	2.0M	NATURAL
FSPARKPICNICMF2	Free Standing Setting MF3	3.0m	NATURAL

## SURFACE MOUNT BENCH SEATS

### Schoolyard, Park, Picnic and Garden Setting

The straight forward design effortlessly complements any space even the harshest elements of an Australian seaside climate can give users a front row bench seat.

This fixed bench is a welcome permanent feature in any setting with its super strength and stability. On-ground or bolted down, concrete or paving, allows it to add design flare to any setting.



**Seating is available in Natural, Powder Coated, Anodised or Wood Grain Finish.**

Part Number	Part Description	Length	Colour Finish
OGSQBENCH2	Surface Mount Bench Seat MF2	2.0M	NATURAL
OGSQBENCH3	Surface Mount Bench Seat MF3	3.0m	NATURAL
OGSQBENCH4	Surface Mount Bench Seat MF4	4.0m	NATURAL
OGSQBENCH6	Surface Mount Bench Seat MF6	6.0m	NATURAL

## PEDESTAL SETTING

### Schoolyard, Park, Picnic and Garden Setting

Originating with clean design, the Pedestal Setting has been designed to inspire flexibility with the unobtrusive base design. The effect of maximizing leg room is achieved with elegance ideal for those areas where space is at a premium.

The on-ground or in-ground setting is a great look in any outdoor space. Like our other table settings, the compact table's solid form offers high levels of comfort, safety and durability while delivering practical necessity into a complementary design feature.



Seating is available in Natural, Powder Coated, Anodised or Wood Grain Finish.

Part Number	Part Description	Length	Colour Finish
PEDPARKPICNICMF	Pedestal Setting Seated Table MF	1.0M	NATURAL



## GRANDSTAND SEATING

### Schoolyard, Park, Sporting Grounds

Comfortable and safe spectator seating to accommodate a group of spectators

We can customize a solution to suit your venue and seating requirements.

Our range of spectator seating for busy sporting and school grounds, recreation centers and swimming pools is not only engineered to offer maximum stability and comfort but also safety for users.



Seating is available in Natural, Powder Coated, Anodised or Wood Grain Finish.

Part Number	Part Description	Length	Colour Finish
GRANDSTAND2	Grandstand Seating MF2	2 Tier	NATURAL
GRANDSTAND3	Grandstand Seating MF3	3 Tier	NATURAL
GRANDSTAND4	Grandstand Seating MF4	4 Tier	NATURAL

## IN GROUND BENCH SEAT

### Schoolyard, Park, Picnic and Garden Setting

Alluring comfort and modern sophistication brings people together and ours are designed to match our tables in size and style.

Bench seating is often used to create a new outdoor community space or to upgrade the existing area with best-in-class structurally sound products that require minimum maintenance. Safe outdoor furniture that is suitable for adults and children.



**Seating is available in Natural, Powder Coated, Anodised or Wood Grain Finish.**

Part Number	Part Description	Length	Colour Finish
IGBENCH2	In Ground Bench Seat MF2	2.0M	NATURAL
IGBENCH3	In Ground Bench Seat MF3	3.0m	NATURAL
IGBENCH4	In Ground Bench Seat MF4	4.0m	NATURAL
IGBENCH6	In Ground Bench Seat MF6	6.0m	NATURAL

## IN GROUND BENCH SEAT with REST

### Schoolyard, Park, Picnic and Garden Setting

Originating with clean design, the in-ground bench has been designed to inspire flexibility, with the unobtrusive base design. The effect of maximizing leg room is achieved with elegance.

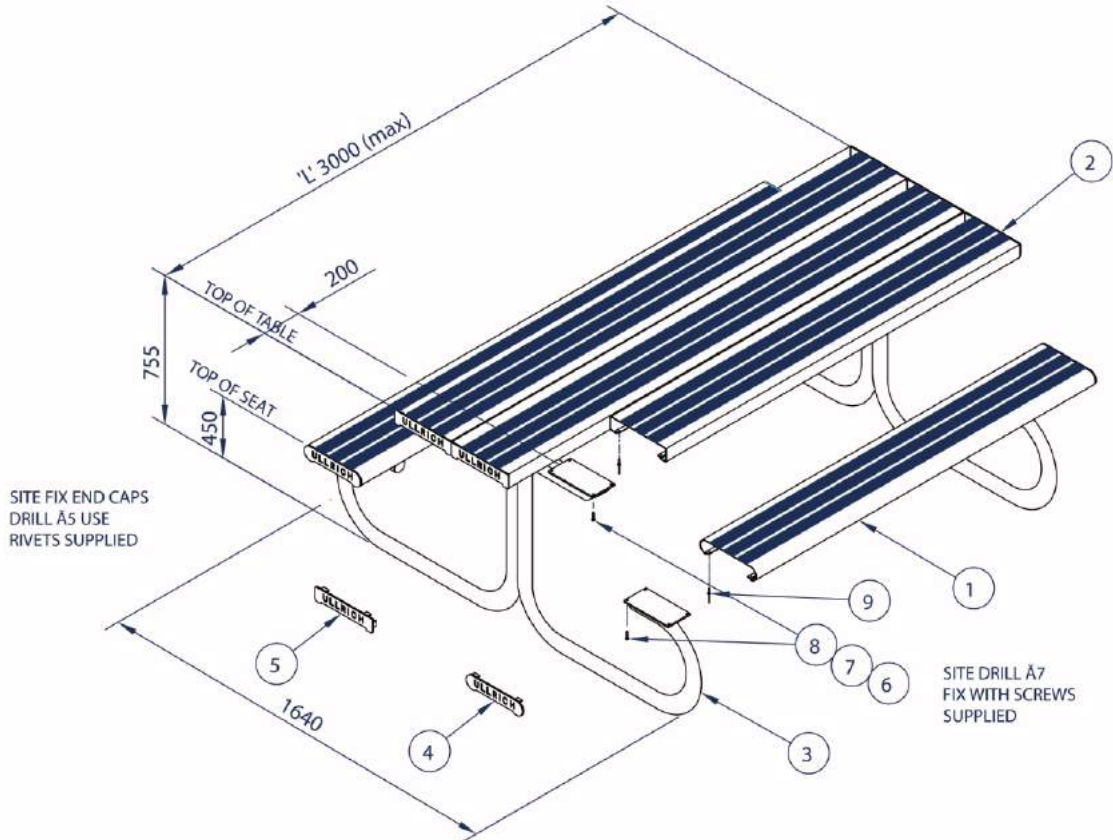
The in-ground bench cleverly combines differently materials and technology, which becomes the cornerstone of the collection. Available in different configurations with a complementary occasional table ideal on their own or as a companion to accompanying table setting.



**Seating is available in Natural, Powder Coated, Anodised or Wood Grain Finish.**

Part Number	Part Description	Length	Colour Finish
BRIGBENCH2	In Ground Bench Seat Rest MF2	2.0M	NATURAL
BRIGBENCH3	In Ground Bench Seat Rest MF3	3.0m	NATURAL
BRIGBENCH4	In Ground Bench Seat Rest MF4	4.0m	NATURAL
BRIGBENCH6	In Ground Bench Seat Rest MF6	6.0m	NATURAL

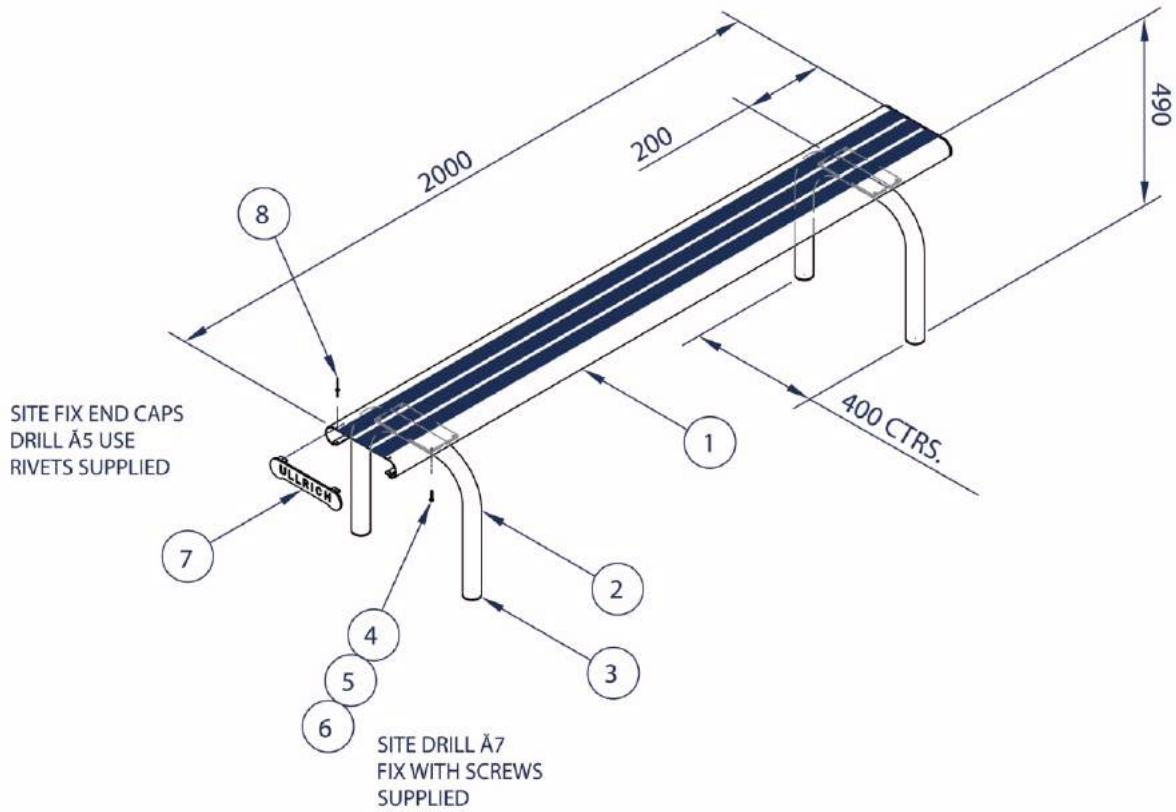
## ASSEMBLY DETAILS



ITEM	PART NUMBER	DESCRIPTION	QTY
1	SEE TABLE 1.0	SEAT EXTRUSION	2
2	SEE TABLE 1.0	TABLE TOP EXTRUSION	3
3	Se1010	SUPPORT TYPE 'F'	See Table Below
4	SEATENDCAP	SEAT END CAP	4
5	SAWHORSECAP	NEW SAWHORSE END CAP	6
6	101M06000Z02	BOLT S.S HEX. M6 x 20	See Table Below
7	203M06000Z02	NUT S.S HEX M6	See Table Below
8	301M06016Z02	WASHER FLAT A6	See Table Below
9	APR6.6MIEA	RIVET S.S A4.8 x 10mmGL	20

TABLE 1.0				
Length	PART NUMBER	PART NUMBER	QTY	QTY
	ITEM 1	ITEM 2	ITEM 3	ITEM 3
2M	UA4473MI2NL	UA4484MI2NL	2	40
3M	UA4473MI3NL	UA4484MI3NL	3	60

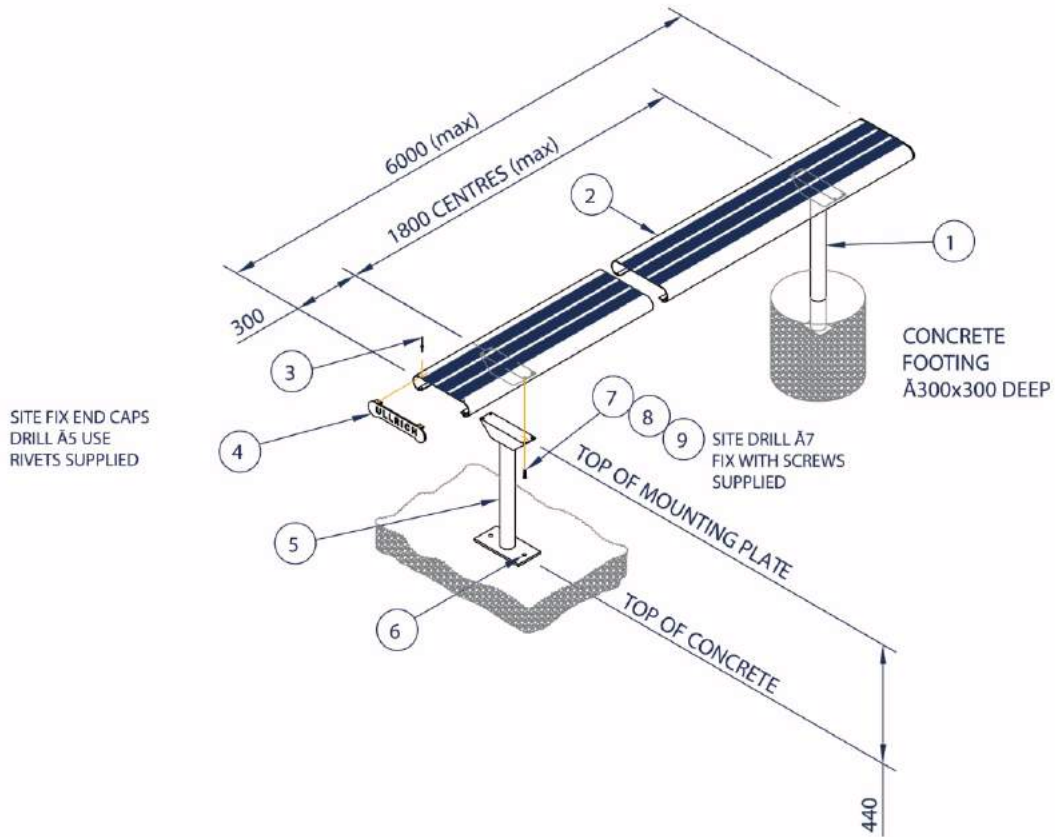
## ASSEMBLY DETAILS



ITEM	PART NUMBER	DESCRIPTION	QTY
1	UA4473MI2	SEAT EXTRUSION 2m	1
2	Se1009	SUPPORT TYPE 'E'	2
3	Se1011	CAP PVC	4
4		BOLT S.S HEX. M6 x 25	8
5		NUT S.S HEX M6	8
6		WASHER FLAT Å6	8
7	Se1012	SEAT END CAP	2
8		RIVET S.S Å4.8 x 10mmGL	4

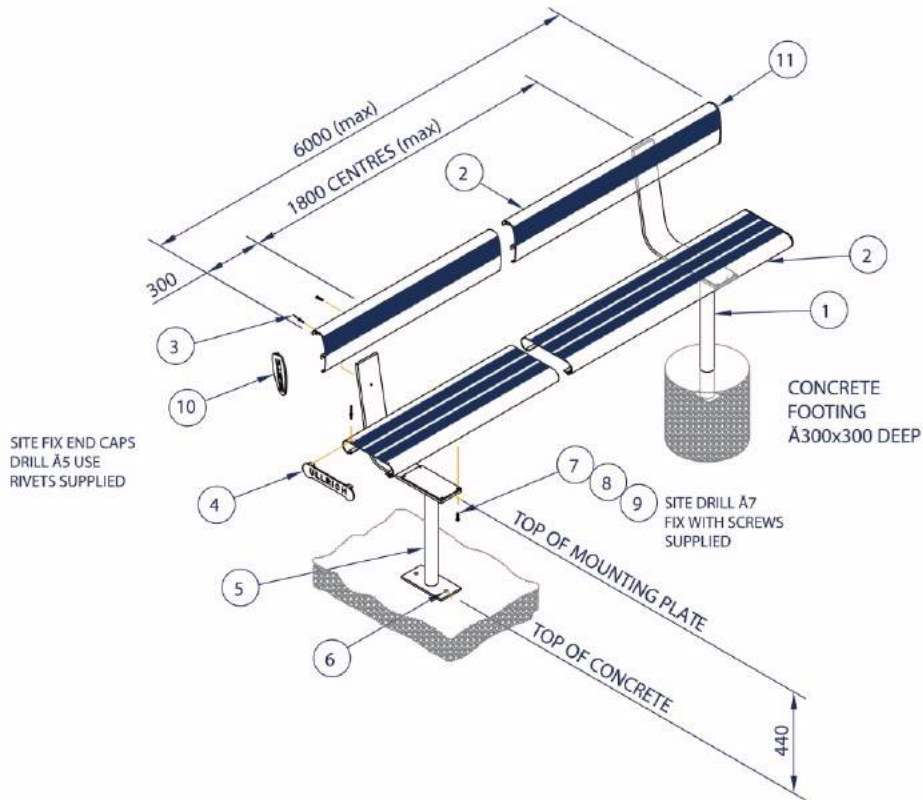


## ASSEMBLY DETAILS



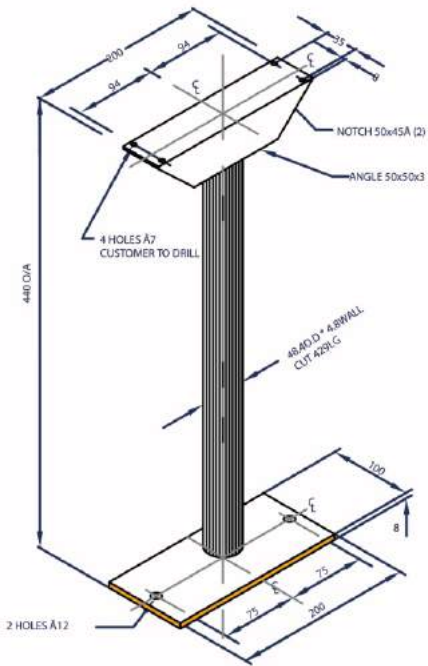
ITEM	PART NUMBER	DESCRIPTION	QTY
1	Se1002	SUPPORT TYPE 'B'	AS REQUIRED
2	Se1009	SEAT EXTRUSION	1
3		RIVET S.S Å4.8 x 10mmGL	4
4	Se1012	SEAT END CAP	2
5	Se1001	SUPPORT TYPE 'A'	AS REQUIRED
6		DYNABOLTS M10 x 50 SS	AS REQUIRED
7		BOLT S.S HEX. M6 x 25	AS REQUIRED
8		NUT S.S HEX M6	AS REQUIRED
9		WASHER FLAT Å6	AS REQUIRED

## ASSEMBLY DETAILS

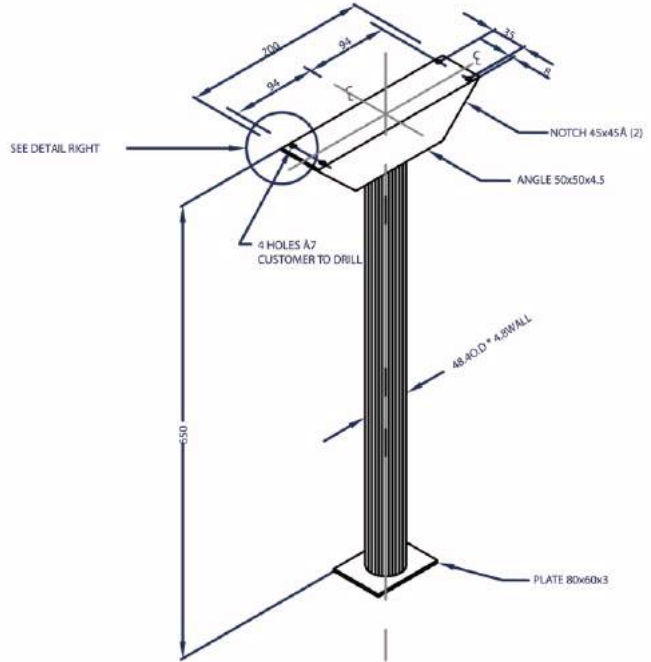


ITEM	PART NUMBER	DESCRIPTION	QTY
1	Se1004	SUPPORT TYPE 'D'	AS REQUIRED
2	Se1009	SEAT EXTRUSION	1
3		RIVET S.S $\checkmark$ 4.8 x 10mmGL	8
4	Se1012	SEAT END CAP	2
5	Se1003	SUPPORT TYPE 'C'	AS REQUIRED
6		DYNABOLTS M10 x 50 SS	AS REQUIRED
7		BOLT S.S HEX. M6 x 25	AS REQUIRED
8		NUT S.S HEX M6	AS REQUIRED
9		WASHER FLAT $\checkmark$ 6	AS REQUIRED
10	Se1013	BACK REST END CAP	1
11	Se1013/1	BACK REST END CAP	1

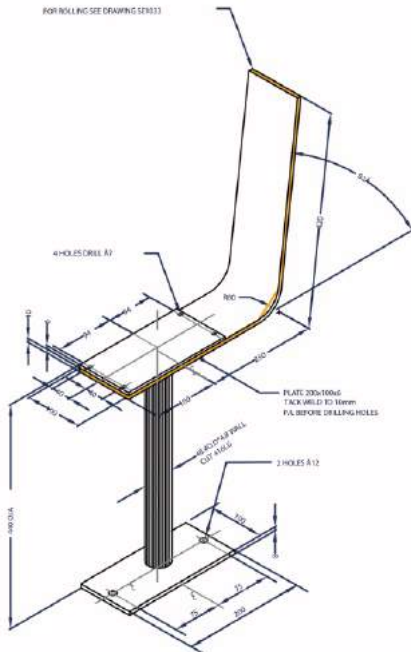
## SUPPORT PROFILES



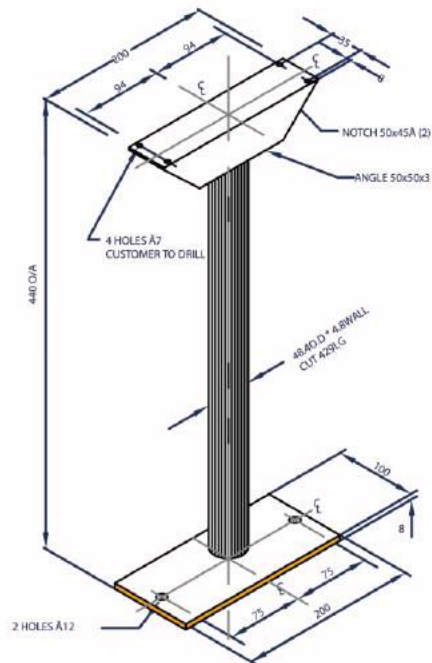
**TYPE "A"**



**TYPE "B"**

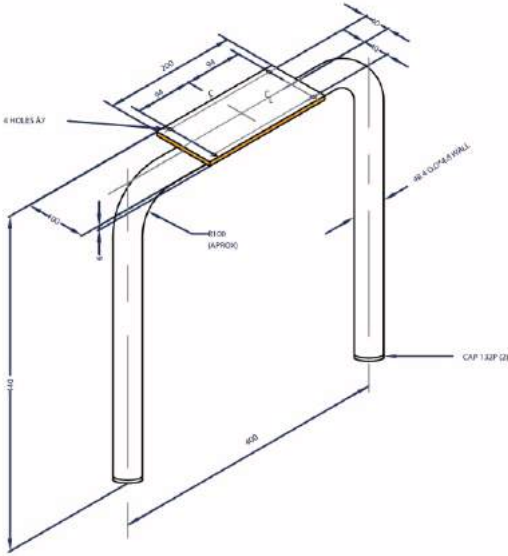


**TYPE "C"**

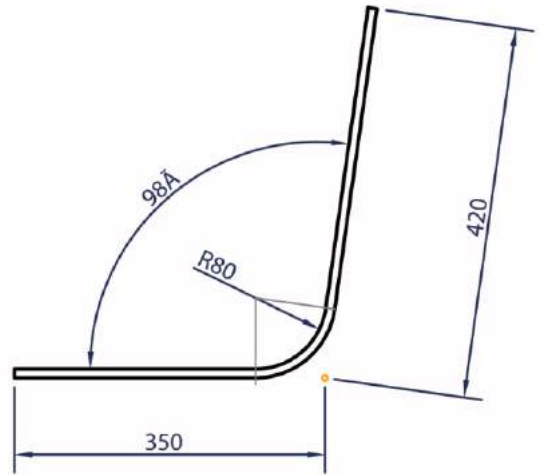


**TYPE "A"**

## SUPPORT PROFILES



**TYPE "E"**



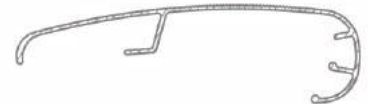
**TYPE "C"**



Ua4473  
254mm x 55mm  
Seating Section



Ua4884  
230mm x 50mm  
Seating Section

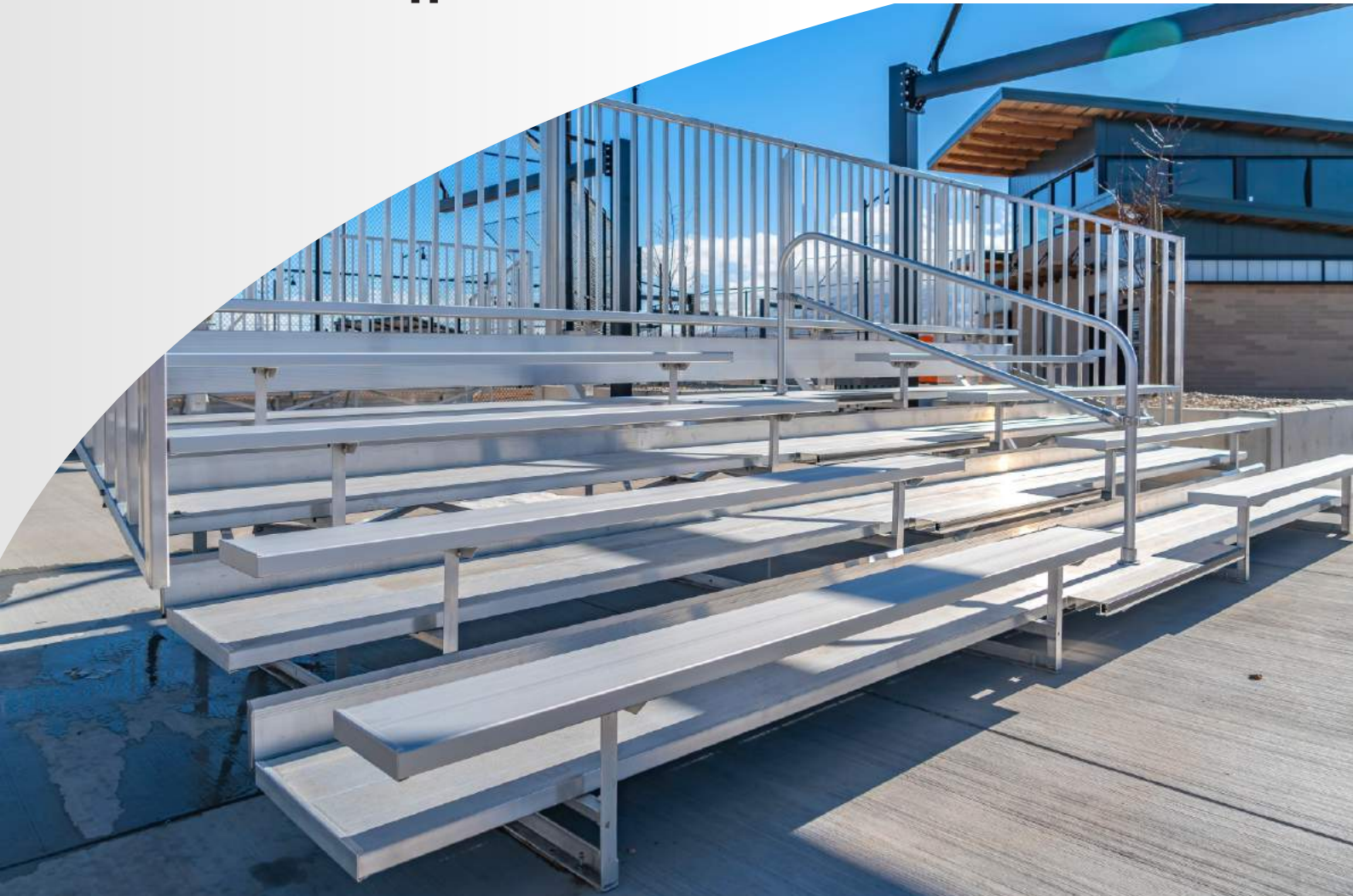


Ua4474  
177.6mm x 50.96mm  
Seating Section



# **RHS STEEL**

**Supplies & Accessories**



## **How to contact us**

**RHS Steel Supplies**

**Unit 27 50-60 Cosgrove Rd**

**Strathfield South, NSW 2136**

**Ph: 02 8054 1347**

**Mob: 0423 340 087**

**[accounts@rhssteelsupplies.com.au](mailto:accounts@rhssteelsupplies.com.au)**

**Opening Hours**

**Monday to Friday 7am to 5pm**

**P & D Imports PTY LTD Trading as RHS Steel Supplies**

**ABN: 60645653050**

**[www.rhssteelsupplies.com.au](http://www.rhssteelsupplies.com.au)**